

SINKS, LAVATORIES, AND HANDWASHING FIXTURES

BIN 1

| | | | | | | |
|------------------|---|---|---|---|---|-------------------------------------|
| Author: | Bill Zellmer AIA, CASp | Issue Date: | November 7, 2014 | Sutter Health - Physical Access Compliance | | |
| | Sutter PAC Group | Revisions: | March 3, 2022 | Barrier Interpretation Notice (BIN) | | |
| Topic No. | Topic Name | Brief Description | 2019 CBC - Code Text: | 2010 ADA Standards - Text: | Sutter Guidance | Additional Information |
| 1 | Definitions | The CBC has <u>different</u> accessibility requirements for ' <u>sinks</u> ' and ' <u>lavatories</u> '. Additionally, there is a third fixture identified in the CBC as a ' <u>Handwashing Fixture</u> ', which is a fixture specifically intended for medical staff to wash their hands and arms. In order to apply the correct accessibility requirements, one must first properly classify the fixture. Sutter is in agreement with HCAI (OSHPD) policy that classifies a 'Handwashing Fixtures' as a 'lavatory' for the purpose of applying accessibility requirements. | | | | See Detail Page 1.1 for DEFINITIONS |
| 2 | Lavatories - Depth (Measured Horizontally) | The minimum and maximum horizontal depth of lavatory fixtures is specified in code via knee and toe clearances. | CBC Section 11B-306.2.2 Toe clearance - Maximum depth. Toe clearance shall extend 25 inches maximum under an element. Exception. Toe clearance shall extend 19" maximum under lavatories required to be accessible by Section 11B-213.3.4 CBC Section 11B-306.2.3 Toe clearance - Minimum depth Where toe clearance is required at an element as part of clear floor space, the toe clearance shall extend 17 inches minimum under the element. | N/A The 2019 CBC requirements for this item match, or are more restrictive than the 2010 ADA Standards for this item. | Lavatories must provide toe space that is 17" deep minimum and 19" deep maximum. NOTE: The space may be deeper, it just doesn't count as 'accessible toe space'. | See Detail Page 1.2 for graphic |
| 3 | Lavatories - Knee Height | The knee space height of lavatories is specified in code. | CBC Section 11B-306.3.3 Knee clearance - Minimum required depth. Where knee clearance is required under an element as part of a clear floor space, the knee clearance shall be 11 inches deep minimum at 9 inches above the finish floor or ground, and 8 inches deep minimum at 27 inches above the finish floor or ground. EXCEPTION: At <u>lavatories</u> required to be accessible by 11B-213.3.4, the knee clearance shall be 27 inches high minimum above the finish floor or ground at a depth of 8 inches minimum increasing to <u>29 inches high minimum above the finish floor or ground at the front edge of a counter</u> with a built-in lavatory or at the front edge of a wall-mounted lavatory fixture. | N/A The 2019 CBC requirements for this item match, or are more restrictive than the 2010 ADA Standards for this item. | Lavatories must provide a minimum knee clearance height of 29" at the leading edge that reduces to a minimum 27" at a distance of 8" back from the front edge of the lavatory. | See Detail Page 1.2 for graphic |
| 4 | Lavatories - Side Wall Clearance | Lavatories may not be placed too close to side walls. | CBC Section 11B-606.6 Adjacent side wall or partition. Lavatories, when located adjacent to a side wall or partition, shall be a minimum of 18 inches to the centerline of the fixture. | Not Applicable | Lavatories must be placed no closer than 18" from the side wall to the centerline of the fixture. (Note: at alcoves and similar conditions, this requirement applies to both sides of the lavatory, effectively requiring a minimum 36" width.) | See Detail Page 1.2 for graphic |

SINKS, LAVATORIES, AND HANDWASHING FIXTURES

BIN 1

| Author: | Bill Zellmer AIA, CASp | Issue Date: | November 7, 2014 | Sutter Health - Physical Access Compliance | | |
|-----------|--|--|--|--|---|---------------------------------|
| | Sutter PAC Group | Revisions: | March 3, 2022 | Barrier Interpretation Notice (BIN) | | |
| Topic No. | Topic Name | Brief Description | 2019 CBC - Code Text: | 2010 ADA Standards - Text: | Sutter Guidance | Additional Information |
| 5 | Sinks - Depth (Measured Horizontally) | The minimum and maximum horizontal depth of sink fixtures is specified in code via knee and toe clearances. | <p>CBC Section 11B-306.2.2 Toe clearance - Maximum depth. Toe clearance shall extend 25 inches maximum under an element.</p> <p>CBC Section 11B-306.2.3 Toe clearance - Minimum depth. Where toe clearance is required at an element as part of clear floor space, the toe clearance shall extend 17 inches minimum under the element.</p> <p>Exceptions 1: The toe clearance shall extend 19 inches minimum under <u>sinks</u> required to be accessible by Section 11B-212.3.</p> | <p>N/A</p> <p>The 2019 CBC requirements for this item match, or are more restrictive than the 2010 ADA Standards for this item.</p> | Sinks must provide toe space that is 19" deep minimum and 25" deep maximum. NOTE: The space may be deeper, it just doesn't count as 'accessible toe space'. | See Detail Page 1.3 for graphic |
| 6 | Sinks - Knee Height | The knee space height of Sinks is specified in code. | <p>CBC Section 11B-306.3.3 Knee clearance - Minimum required depth. Where knee clearance is required under an element as part of a clear floor space, the knee clearance shall be 11 inches deep minimum at 9 inches above the finish floor or ground, and 8 inches deep minimum at 27 inches above the finish floor or ground.</p> | <p>N/A</p> <p>The 2019 CBC requirements for this item match, or are more restrictive than the 2010 ADA Standards for this item.</p> | Sinks must provide a minimum knee clearance height of 27" at a distance of 8" back from the front edge of the sink. | See Detail Page 1.3 for graphic |
| 7 | Sinks - Depth (Vertical Bowl Depth) | The code specifies a maximum vertical depth of the bowl at accessible sinks (to provide adequate height for knee space). | <p>11B-606.7 Sink depth. Where a forward approach is required at a sink, knee and toe clearance shall be provided in compliance with Section 11B-306.</p> <p>NOTE: The code no longer has a 6" maximum bowl depth requirement which used to be in 11B-606.7.</p> <p>(11B-306 consists of 2 pages of detailed requirements for knee and toe space.)</p> | <p>None.</p> | <p>There is no requirement for maximum sink bowl depth (vertical).</p> <p>However, in practical terms, a sink with a vertical depth that is more than 6" is not likely to comply with the 27" height requirement.</p> | See Detail Page 1.3 for graphic |

SINKS, LAVATORIES, AND HANDWASHING FIXTURES

BIN 1

| Author: | Bill Zellmer AIA, CASp | Issue Date: | November 7, 2014 | Sutter Health - Physical Access Compliance | | |
|-----------|--------------------------------|---|--|---|---|------------------------|
| | Sutter PAC Group | Revisions: | March 3, 2022 | Barrier Interpretation Notice (BIN) | | |
| Topic No. | Topic Name | Brief Description | 2013 CBC - Code Text: | 2010 ADA Standards - Text: | Sutter Guidance | Additional Information |
| 8 | Handwashing Fixtures | Handwashing Fixtures are required by HCAI / OSHPD to meet accessibility requirements for 'Lavatories'. | HCAI CAN 2-11B Page 31: "Handwashing fixtures" are special application "lavatories" and are subject to the exception to 11B-306.3.3. Handwashing fixtures, as lavatories, are not subject to Section 11B- 306.2.3, Exception 1 which states: "The toe clearance shall extend 19 inches minimum under sinks required to be accessible by Section 11B-212.3." Consequently, handwashing fixtures must have a minimum depth of 17 inches to a maximum of 19 inches in order to comply with the toe clearance requirements. They shall also have a minimum knee clearance of 29 inches at the front of the lavatory with depth and reduction described in Sections 11B-306.3.3 Exception 1 and 11B-306.3.4." | None. | Sutter policy is to require 'Handwashing Fixtures' to meet the requirements of <u>Lavatories</u> , same as HCAI. | See Detail Page 1.4 |
| 9 | Exempt Fixtures | There are many fixtures that share the term 'sink' that are in fact exempt from accessibility requirements. | 11B-203.9 Employee workstations. Employee workstations shall be on an accessible route complying with Division 4. Spaces and <u>elements</u> within employee workstations shall only be required to comply with Sections 11B-207.1, 11B-215.3, 11B-302, 11B-303, 11B-308.1.1, 11B-308.1.2 and 11B-404.2.3 unless exempted by other parts of this code. Common use circulation paths within employee workstations shall comply with Section 11B206.2.8. 11B-212.3 Sinks. Where sinks are provided, at least 5%, but no fewer than one, of each type provided in each accessible room or space shall comply with 11B-606. Exceptions: 1. Mop, service or scullery sinks shall not be required to comply with Section 11B-212.3. 2. Scub sinks, as defined in California Plumbing Code Section 221.0, shall not be required to comply with Section 11B-606. | N/A The 2019 CBC requirements for this item match, or are more restrictive than the 2010 ADA Standards for this item. | Scrub Sinks, Scullery Sinks, Clinic Sinks, and Mop Sinks are exempt from accessibility requirements. | See Detail Page 1.5 |
| 10 | Offsets from Centerline | Neither the CBC, nor the ADA Standards require that the 'clear floor space' required at sinks, lavatories and handwashing fixtures be centered. However, when a sink, lavatory or handwashing fixture is located near a side wall, obstructions such as paper towel dispensers should be considered. | CBC 11B-606.6 Adjacent sidewall or partition. Lavatories, when located adjacent to a side wall or partition, shall be a minimum of 18" to the centerline of the fixture. 11B-305.3 Size. The clear floor or ground space shall be 30 inches minimum by 48" minimum. | None. | Sutter preference: Provide the required 'Clear Floor Space' <u>centered</u> below the sink, lavatory or handwashing fixture. When necessary, Sutter will accept a <u>maximum of 3" of off-set</u> between the centerline of the fixture and the centerline of the 'Clear Floor Space' below. | See Detail Page 1.6 |

SINKS, LAVATORIES, AND HANDWASHING FIXTURES

BIN 1

| Author: | Bill Zellmer AIA, CASp | Issue Date: | November 7, 2014 | Sutter Health - Physical Access Compliance | | |
|-----------|------------------------|--|--|---|--|------------------------|
| | Sutter PAC Group | Revisions: | March 3, 2022 | Barrier Interpretation Notice (BIN) | | |
| Topic No. | Topic Name | Brief Description | 2019 CBC - Code Text: | 2010 ADA Standards - Text: | Sutter Guidance | Additional Information |
| 11 | Reach Range | The forward reach over an obstruction is limited by the knee and toe space below a fixture. Because the code-required maximum toe space is different at lavatories (19" maximum) and sinks (25" maximum") there is a corresponding difference in code-required maximum reach at lavatories and sinks. This typically affects the maximum reach to faucets, soap dispensers and paper towel dispensers. | 11B-308.2.2 Obstructed high reach. Where a high forward reach is over an obstruction, the clear floor space shall extend beneath the element for a distance not less than the required reach depth over the obstruction. The high forward reach shall be 48 inches maximum where the reach depth is 20 inches maximum. Where the reach depth exceeds 20 inches, the high forward reach shall be 44 inches maximum and the reach depth shall be 25 inches maximum. | N/A The 2019 CBC requirements for this item match, or are more restrictive than the 2010 ADA Standards for this item. | Sutter Policy: Sutter Health facilities shall be designed and constructed to provide a compliant FORWARD APPROACH and associated Forward Reach at Sinks, Lavatories, & Handwashing Fixtures to the following elements: * Faucet controls * Paper towel dispensers * Soap dispensers Toe space shall extend at least as far forward as the element above that is to be reached. | See Detail Page 1.7 |

SINKS, LAVATORIES, AND HANDWASHING FIXTURES

Author: Bill Zellmer

SUTTER HEALTH - BARRIER INTERPRETATION NOTICE

ISSUE DATE: November 7, 2014

REVISIONS: March 3, 2019

BIN 1

1.1 – Definitions Sinks, Lavatories, and Handwashing Fixtures

- A. Definition of “Sink” from 2019 CBC: **Sink**. A fixed bowl or basin with running water and drainpipe, as in a kitchen or laundry, for washing dishes, clothing, etc. (As differentiated from the definition of “Lavatory”).
- B. Definition of “Lavatory” from the 2019 CBC: **Lavatory**. A fixed bowl or basin with running water and drainpipe, as in a toilet or bathing facility, for washing or bathing purposes. (As differentiated from the definition of “Sink”).
- C. Definition of “Handwashing Fixture” from the 2019 CBC: **Handwashing Fixture**. Refer to the California Plumbing Code, Section 210.0
- D. Definition of “Handwashing Fixture” from the 2019 CPC: **Handwashing Fixture**. (OSHPD 1,2,3,4,5) Handwashing fixtures consist of faucet, trim and sink as described:
- (1) Faucets and trim
- a. Handwashing fixtures used by medical and nursing staff, patients, and food handlers shall be trimmed with valves that can be operated without the use of hands.
 - i. Wrist or elbow blades shall be permitted where allowed per Table 4-2.
 - ii. Blade handles used for this purpose shall be at least 4 inches in length.
 - b. Sensor operated fixtures shall be capable of functioning during loss of normal power.
 - c. Faucets shall not be equipped with an aerator but may be equipped with a non-aerating laminar flow device.
 - d. If deck-mounted manual temperature controls are used they shall use wrist blades at least 4 inches in length.
 - e. Faucets shall be equipped with gooseneck spouts. A gooseneck spout is a deck or fixture-mounted spout so the discharge point of the spout return is at least 5 inches above the fixture rim.
- (2) Lavatory
- A. Shall be designed and installed to prevent splashing outside of the lavatory.
 - B. Shall be well-fitted and sealed to prevent water leaks onto or into the cabinetry or wall spaces.
 - C. Design of lavatories and cabinetry shall not permit storage beneath the fixture basin.
 - D. Shall be constructed of nonporous material.

(3)

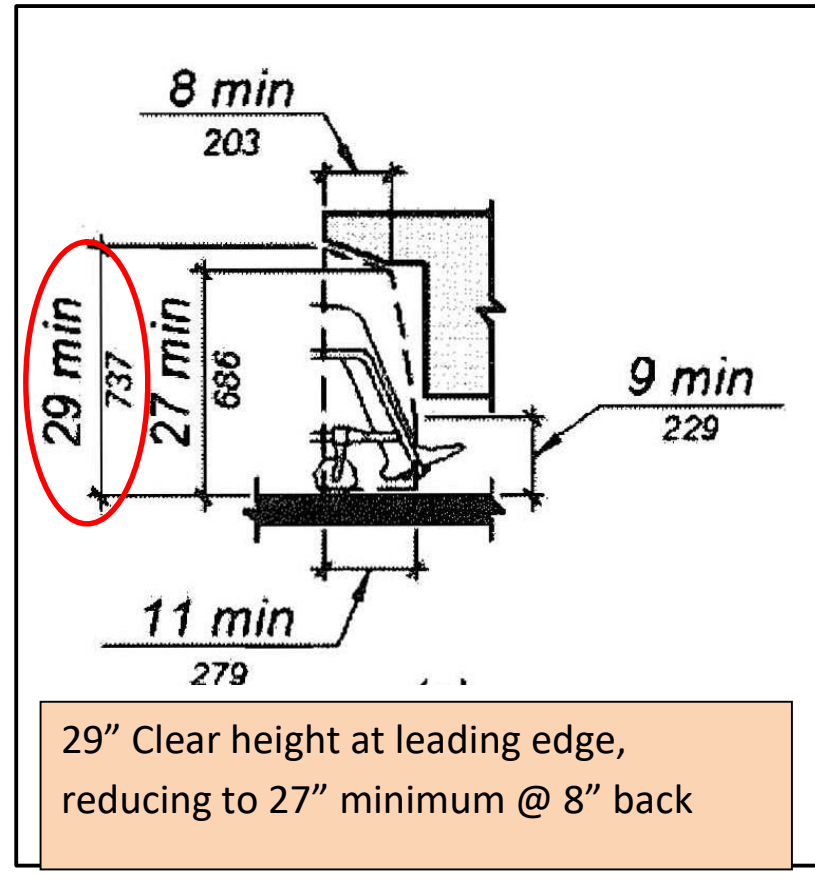
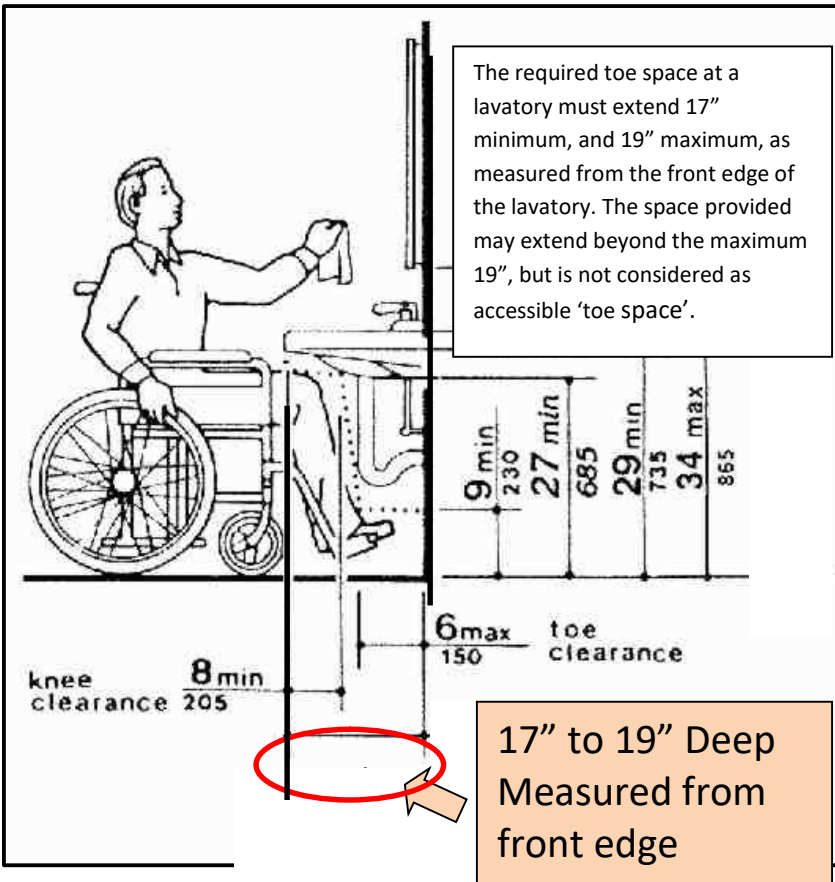
SINKS, LAVATORIES, AND HANDWASHING FIXTURES

BIN 1

SUTTER HEALTH - BARRIER INTERPRETATION NOTICE

| | | | |
|---------|--------------|-------------|------------------|
| Author: | Bill Zellmer | ISSUE DATE: | November 7, 2014 |
| | | REVISIONS: | May 8, 2015 |

1.2 – Lavatory Knee and Toe Space



Note: 18" min. from centerline of Lavatories to any side wall

Lavatory Knee and Toe Space

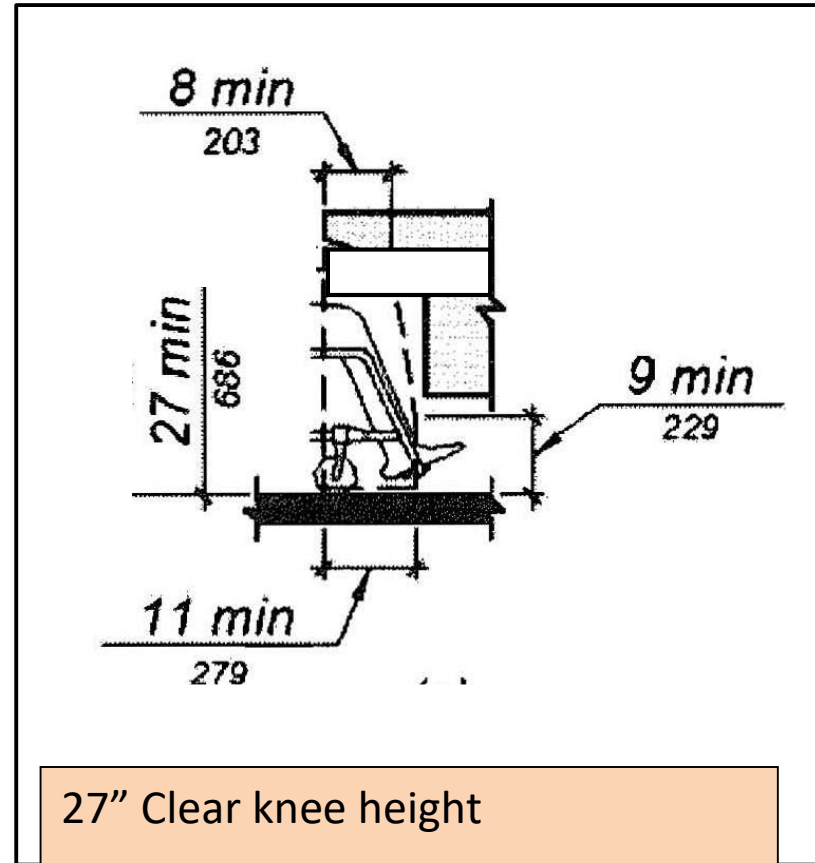
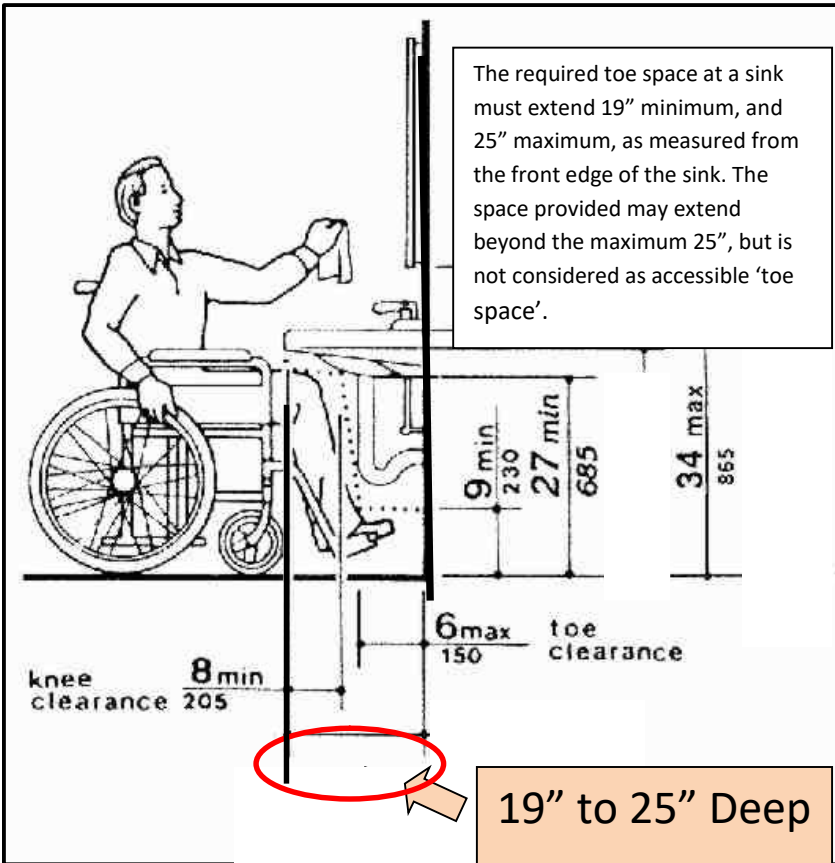
SINKS, LAVATORIES, AND HANDWASHING FIXTURES

BIN 1

SUTTER HEALTH - BARRIER INTERPRETATION NOTICE

| | | | |
|---------|--------------|-------------|------------------|
| Author: | Bill Zellmer | ISSUE DATE: | November 7, 2014 |
| | | REVISIONS: | March 3, 2022 |

1.3 – Sink Knee and Toe Space



Sink Knee and Toe Space

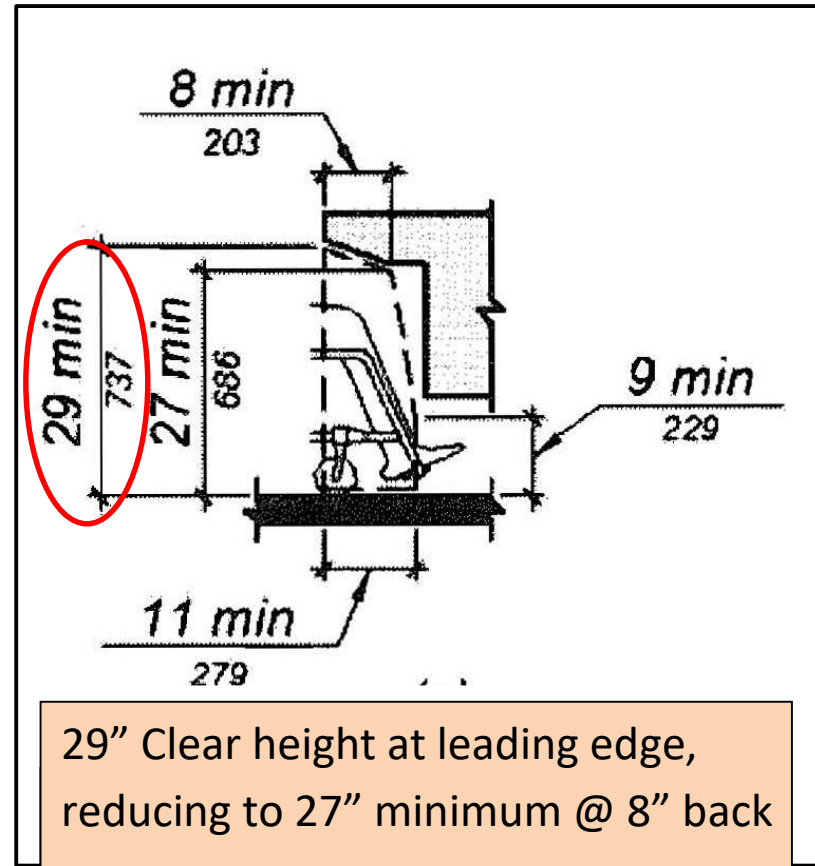
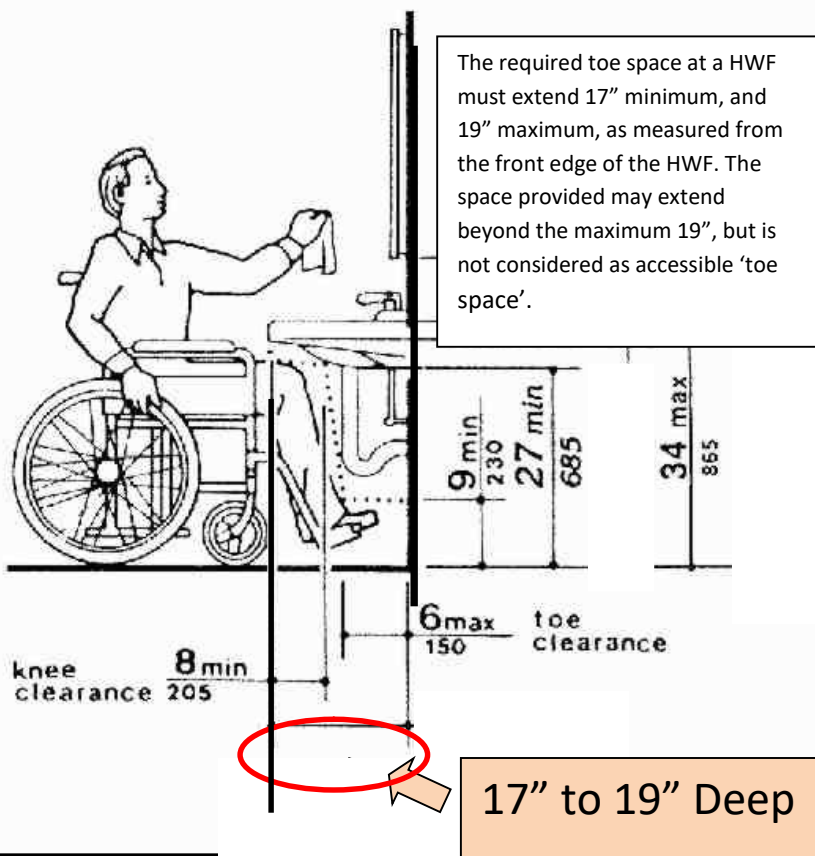
SINKS, LAVATORIES, AND HANDWASHING FIXTURES

BIN 1

SUTTER HEALTH - BARRIER INTERPRETATION NOTICE

| | | | |
|---------|--------------|-------------|------------------|
| Author: | Bill Zellmer | ISSUE DATE: | November 7, 2014 |
| | | REVISIONS: | March 3, 2022 |

1.4 – HWF Knee and Toe Space



Note: 18" min. from centerline of HWF to wall

SINKS, LAVATORIES, AND HANDWASHING FIXTURES

BIN 1

SUTTER HEALTH - BARRIER INTERPRETATION NOTICE

| | | | |
|---------|--------------|-------------|-------------------|
| Author: | Bill Zellmer | ISSUE DATE: | November 7, 2014 |
| | | REVISIONS: | September 4, 2019 |

1.5 – Exempt Fixtures



Exempt fixtures: Scrub Sinks, Scullery Sinks, Clinic Sinks, Mop Sinks.

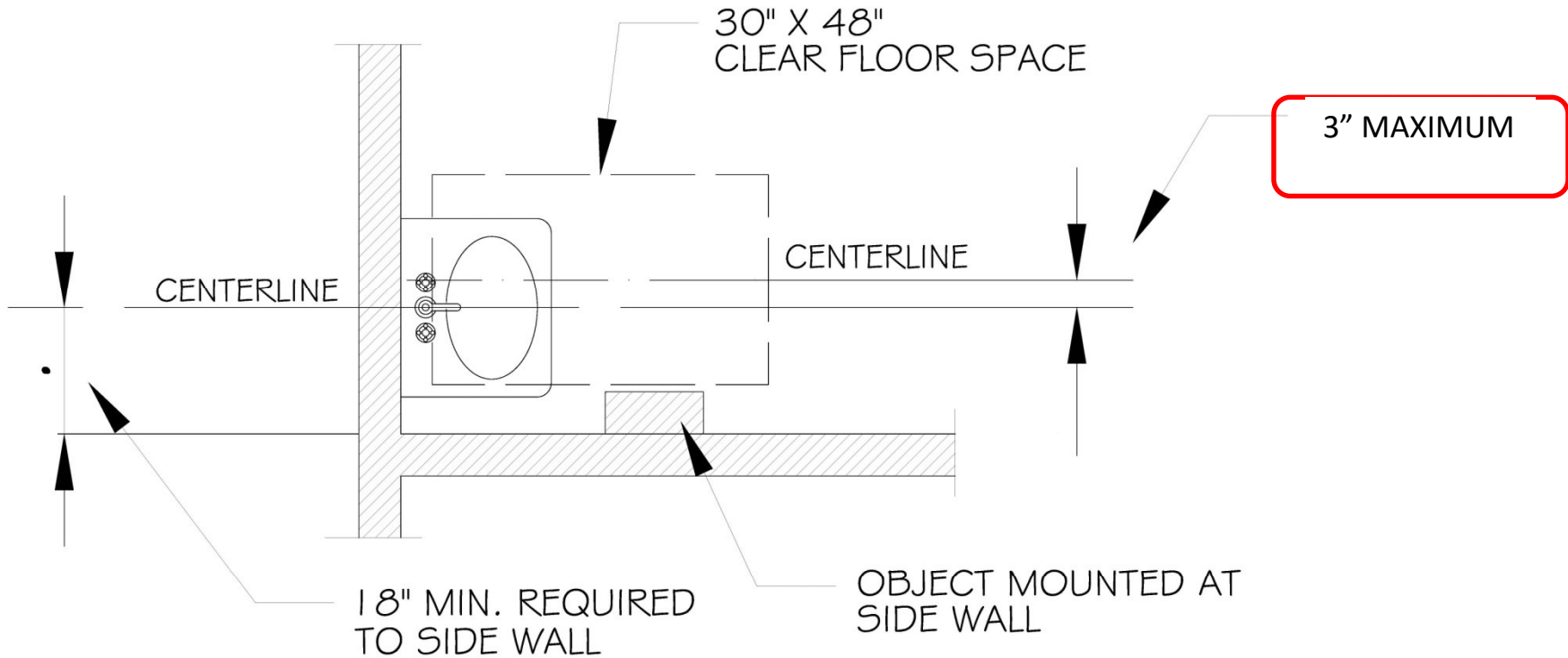
SINKS, LAVATORIES, AND HANDWASHING FIXTURES

BIN 1

SUTTER HEALTH - BARRIER INTERPRETATION NOTICE

| | | | |
|---------|--------------|-------------|-------------------|
| Author: | Bill Zellmer | ISSUE DATE: | November 7, 2014 |
| | | REVISIONS: | September 4, 2019 |

1.6 – Offset from Centerline



SUTTER POLICY:
MAXIMUM 3" OFFSET ALLOWED BETWEEN
CENTERLINE OF FIXTURE AND CENTERLINE OF
CLEAR FLOOR SPACE

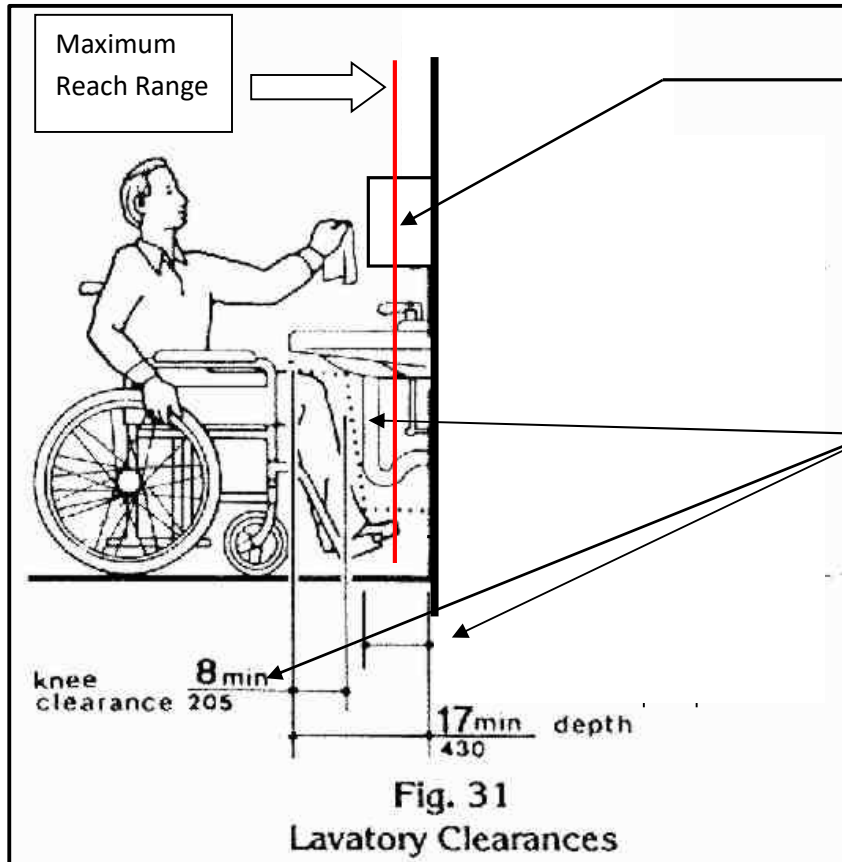
SINKS, LAVATORIES, AND HANDWASHING FIXTURES

BIN 1

SUTTER HEALTH - BARRIER INTERPRETATION NOTICE

1.7 – Reach Range

| | | | |
|---------|--------------|-------------|------------------|
| Author: | Bill Zellmer | ISSUE DATE: | November 7, 2014 |
| | | REVISIONS: | March 3, 2022 |



SUTTER POLICY:

The reach range above an obstruction is limited to the allowable knee and toe space below the obstruction.

- The maximum allowed toe space at **Lavatories / HWF = 19"**
(Thus, maximum reach range at Lavatories and HWF = 19")
- The maximum allowed toe space at **Sinks = 25"**.
(Thus, the maximum reach range at Sinks = 25")

NOTE: The inherent relationship between knee space and toe space requires that the toe space may not exceed the knee space by more than 6" as noted in CBC 11B-306.2.4.

Whenever the toe space exceeds 17", the corresponding knee space must also extend an equal amount. Therefore, in order for the toe space to be usable beyond 17", the 8" minimum depth of knee space must also be extended a corresponding dimension. If it is not extended, the toe space is not considered as usable, and the reach range above is limited to 17".

Reach Range to Faucets, Soap Dispensers, and Paper Towel Dispensers is limited by the available and maximum code recognized knee and toe space.